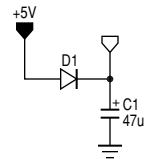
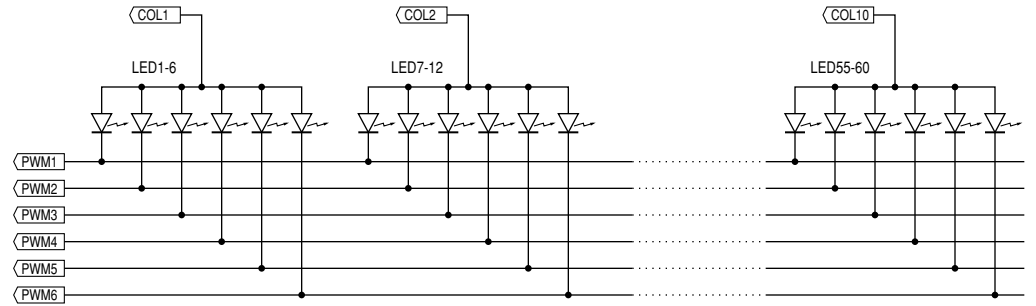
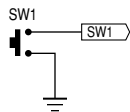


ICSP Connector

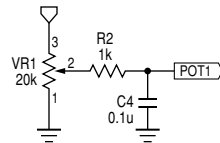
COL1 - 12: active-high
PWM1-4: active-low



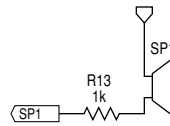
Power Supply



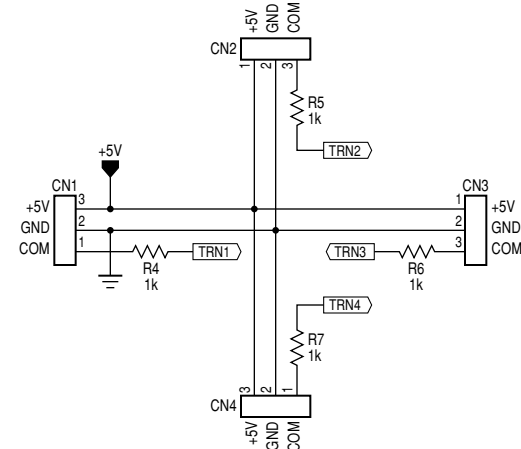
Push Button



Speed Control Knob



Speaker



Cascading Connectors

BOM

- 6x 1k ohm - R2-7
- 1x 10k ohm - R1
- 1x 20k ohm Pot - VR1
- 3x 0.1uF - C2-4
- 1x 47uF EC - C1
- 1x 1N4148 Switching Diode - D1

- 1x PIC24F08/16KL402 - IC1
- 60x LED - LED1-60
- 1x SPST Tactile Switch - SW1
- 1x Piezoelectric Speaker - SP1

Title Collider 60		
Date 03/29/2014	Rev. 2b	Sheet 1 of 1
Designed by Akimitsu Sadoi		