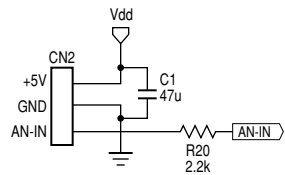
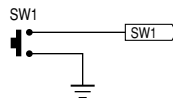
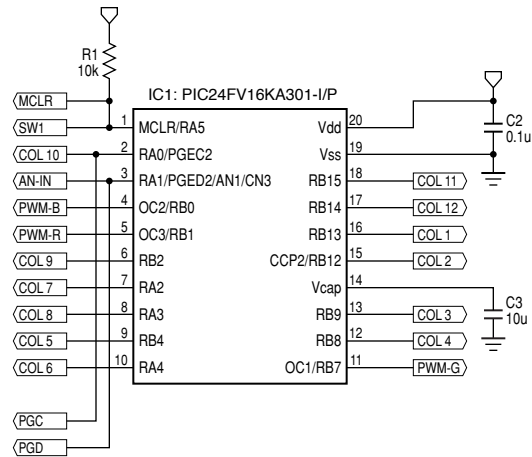


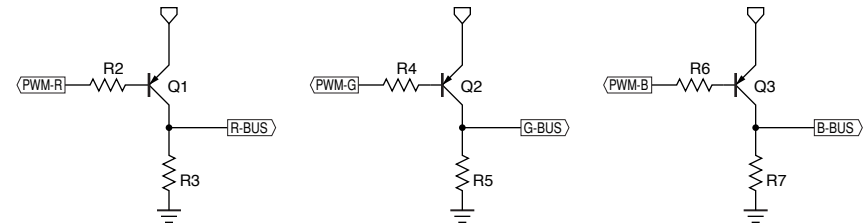
ICSP Connector



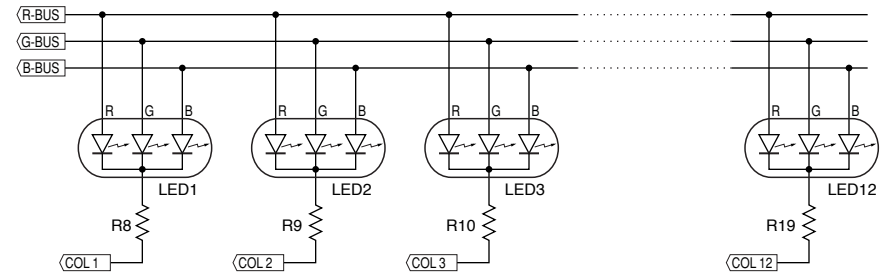
Power Supply Connector



Push Button



Q1-3: 2N2907A or equivalent
 R2,4,6: 220 ohm
 R3, 5, 7: 2.2k ohm



R8-19: 120 ohm

LED Matrix (common-cathode)

BOM

- 12x 120 ohm - R8-19
- 3x 220 ohm - R2, 4, 6
- 4x 2.2k ohm - R3, 5, 7, 20
- 1x 10k ohm - R1
- 1x 0.1 uF Ceramic - C2
- 1x 10 uF MLCC - C3
- 1x 47 uF EC - C1
- 3x 2N2907A or equivalent - Q1-3
- 1x PIC24FV16KA301 - IC1
- 12x RGB LED (common-cathode)
- 1x Tactile Switch - SW1

| | | | |
|-------------------------------|-----------|-----------------|--|
| Title Aurora 12 bar | | | |
| Date 11/09/2012 | Rev. 2 | Sheet 1 of 1 | |
| Designed by Akimitsu Sadoi | | | |