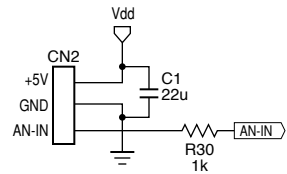
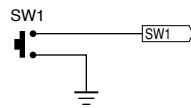


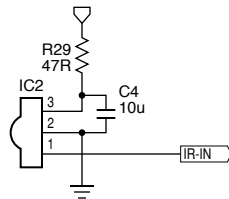
ICSP Connector



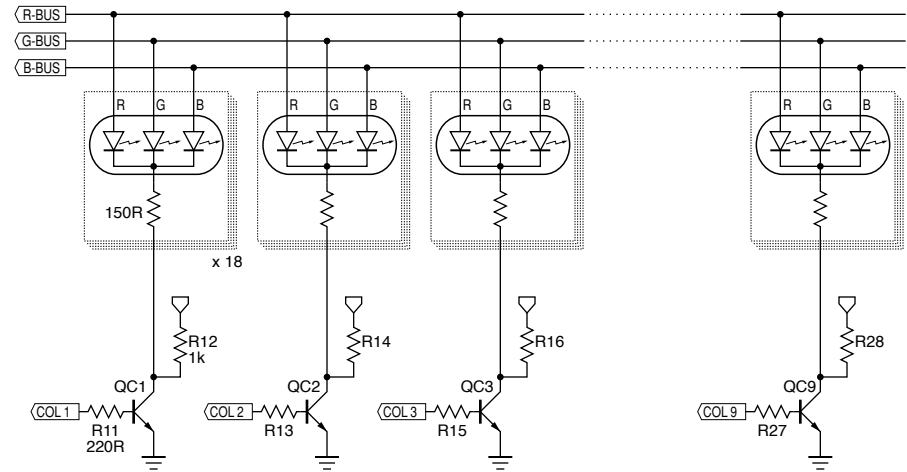
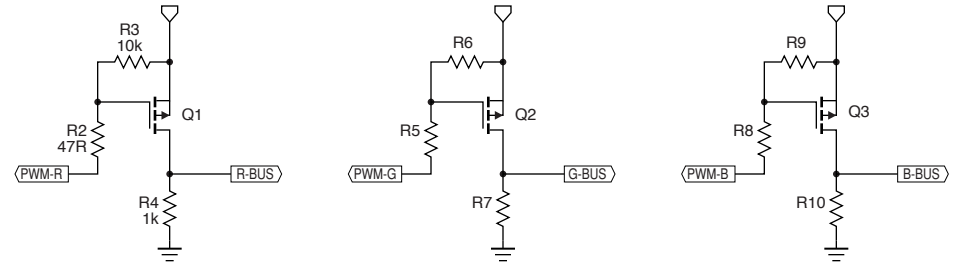
Power Supply Connector



Push Button



IC2: GP1UX311QS
IR Receiver



Q1R, Q1G, Q1B: DMP3098L
QC1-9: MMBT2222A

BOM

- | | | |
|--------------------|-----------------|------------------------------------|
| 4x 47 Ohm (0603) | 2x 0.1uF (0603) | 1x PIC24FV16KA301 |
| 162x 150Ohm (0603) | 2x 10uF (1206) | 1x GP1UX311QS or equivalent |
| 9x 220 Ohm (0603) | 1x 22uF (1210) | 1x Tactile Switch |
| 13x 1k Ohm (0603) | 3x DMP3098L | 162x Tricolor LED (common-cathode) |
| 4x 10k Ohm (0603) | 9x MMBT2222A | |

| | | |
|--|-----------|-----------------|
| Title Aurora 9x18 Mk2 (162 LEDs) | | |
| Date 3/15/2012 | Rev. 2 | Sheet 1 of 1 |
| Designed by Akimitsu Sadoi | | |